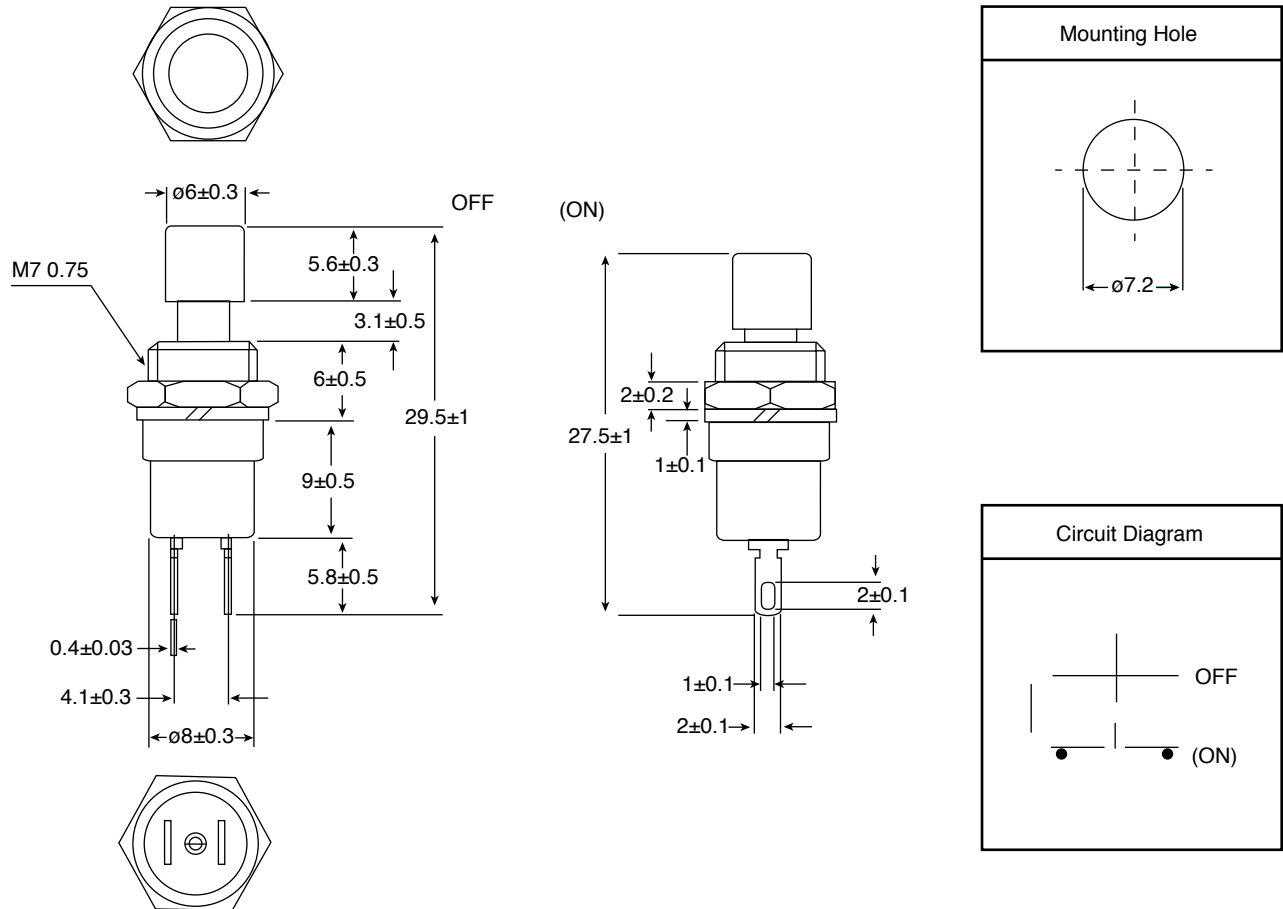


Dimensions: mm



Electrical Specifications:

- Rating: 3A/125VAC 1.5A/250VAC
- Contact resistance: 50mΩ Max.
- Insulation resistance: 500VDC 100MΩ Min.
- Dielectric strength: 1000VAC for 1 minute

Mechanical Specifications:

- Circuit: 2P SPST off-(on)

Note:

- RoHS Compliant by Exemption

MOUSER STOCK NO.	Button Color
103-1012-EVX	Red
103-1013-EVX	Black

Pushbutton Switches
103-1012-EVX, 103-1013-EVX

